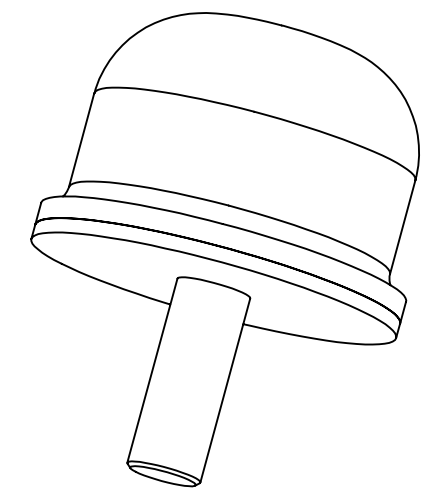
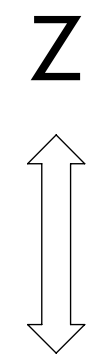
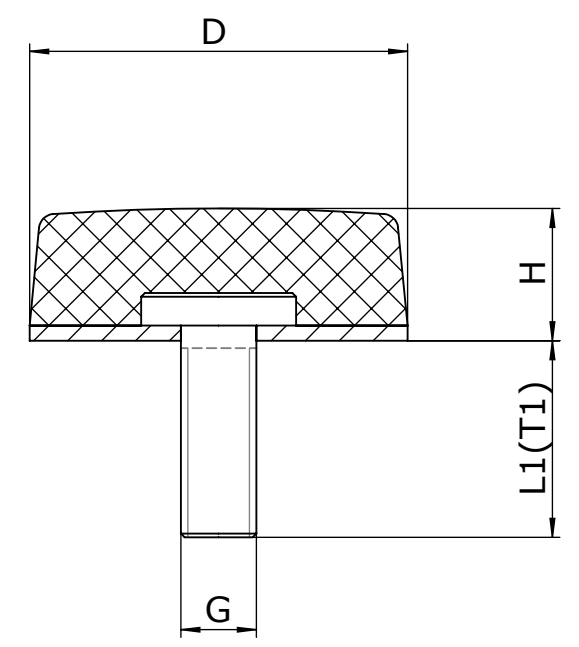
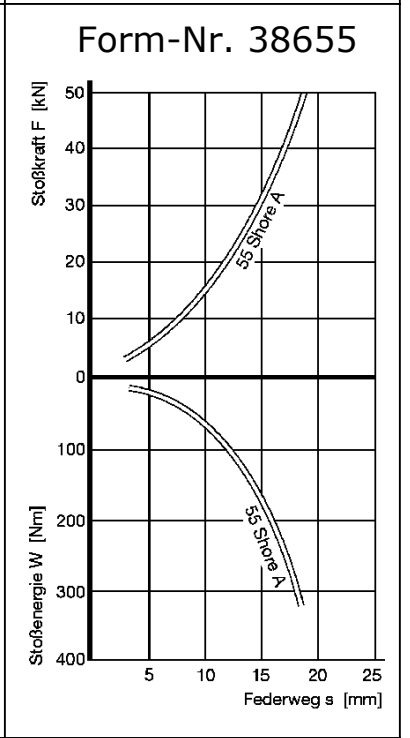
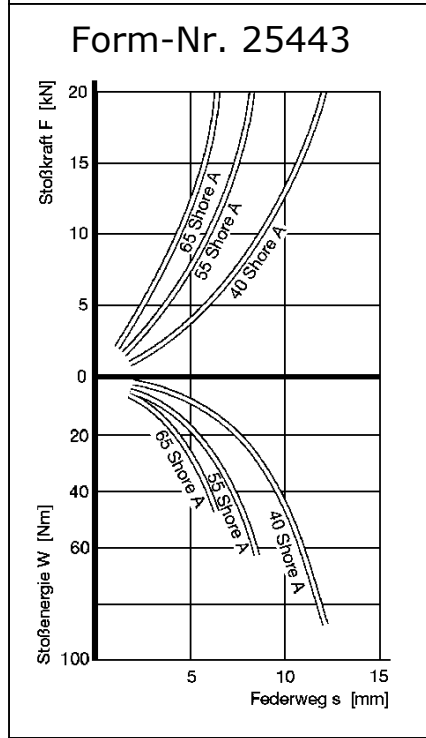
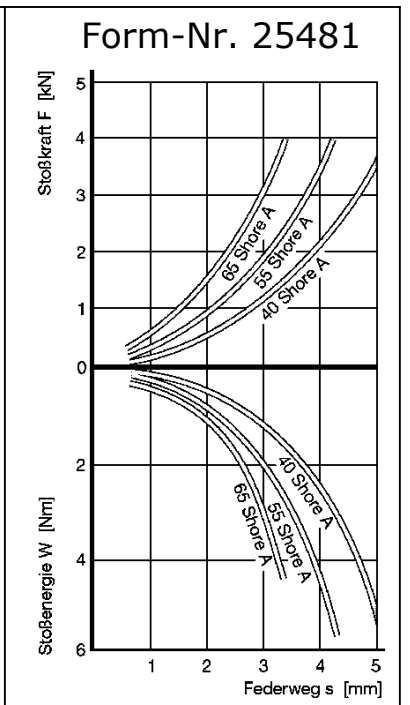
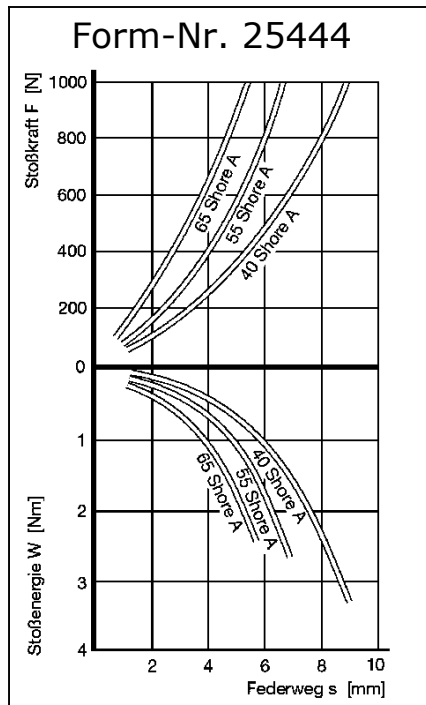
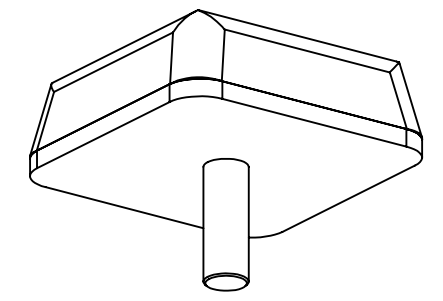


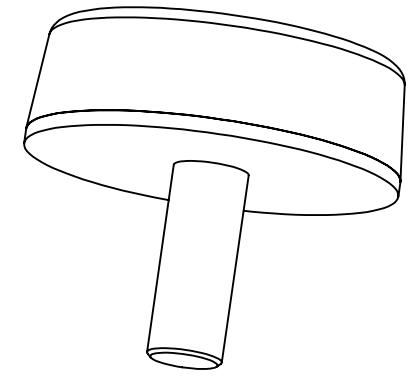
Only for information



For Mould No. 38655



For Mould No. 25443



For Mould No. 25444  
25481

Only the english language version of the text is binding

|  |  |                            |
|--|--|----------------------------|
| Pay attention to copyright note ...<br>Schutzvermerk nach DIN ISO 16016 beachten | General tolerances<br>Allgemeintoleranzen                        | ISO 2768-mK<br>ISO 3302 M3 |
| Tolerancing principal DIN EN ISO 14405<br>Tolerierungsgrundsatz                  | Lengths, radii, chamfers<br>Laengen, Radien, Fasen               |                            |
| First angle projection ...<br>Projektionsmethode 1 DIN 6                         | Angles<br>Winkel   |                            |
| Edges ISO 13715<br>Werkstueckkanten  | Straightness, flatness<br>Geradheit, Ebenheit                    |                            |
| Surfaces DIN ISO 1302<br>Oberflaechen  | Circularity, circular run out<br>Rundheit, Lauf                  |                            |
| Surface calculated [cm²]<br>Oberflaeche berechnet                                | Parallelism, perpendicularity<br>Parallelitaet, Rechtwinkligkeit |                            |
| Volume calculated [dm³]<br>Volumen berechnet                                     | Symmetry<br>Symmetrie  |                            |

Mould no.: see table  
Formnr.: see table

Code: see table

|                  |                        |            |                            |   |
|------------------|------------------------|------------|----------------------------|---|
| Scale<br>Maßstab | Drawn<br>Gezeichnet    | 15.12.2023 | R&D Slovakia<br>SolidWorks | <b>Continental</b><br>ContiTech Vibration Control Slovakia s.r.o. |
| 1:1              | Checked<br>Geprüft     |            | Format<br>A2               |   |
|                  | Confirmed<br>Genehmigt |            |                            |   |

Name:  
Benennung:

**Schwingmetall® Anschlaege  
Anschlag-Puffer**

Replace for:  
Ersatz fuer:

Belongs to:  
Gehoert zu:

Drawing no.:  
Zeichnungs-Nr.:

**EF/304/556**

| Mould No. | Dimensions [mm] |      |      |        |      | Weight (g) | Artikelnummer |            |            |
|-----------|-----------------|------|------|--------|------|------------|---------------|------------|------------|
|           | D               | H    | L1   | T1     | G    |            | NR 40         | NR 55      | NR 65      |
| 25444     | Ø25             | 16,5 | 18,5 | ± 0,7  | M6   | 15         | 4000004312    | 4000004313 | 4000004314 |
| 25481     | Ø50             | 17,0 | 28,0 | ± 0,75 | M10  | 77         | 4000004317    | 4000004318 | 4000004319 |
| 25443     | □80x80          | 30,0 | 35,0 | ± 0,85 | M 12 | 419        | 4000004308    | 4000004309 | 4000004310 |
| 38655     | Ø125            | 45,0 | 43,0 | ± 1    | M 16 | 920        | -             | 4000004459 | -          |